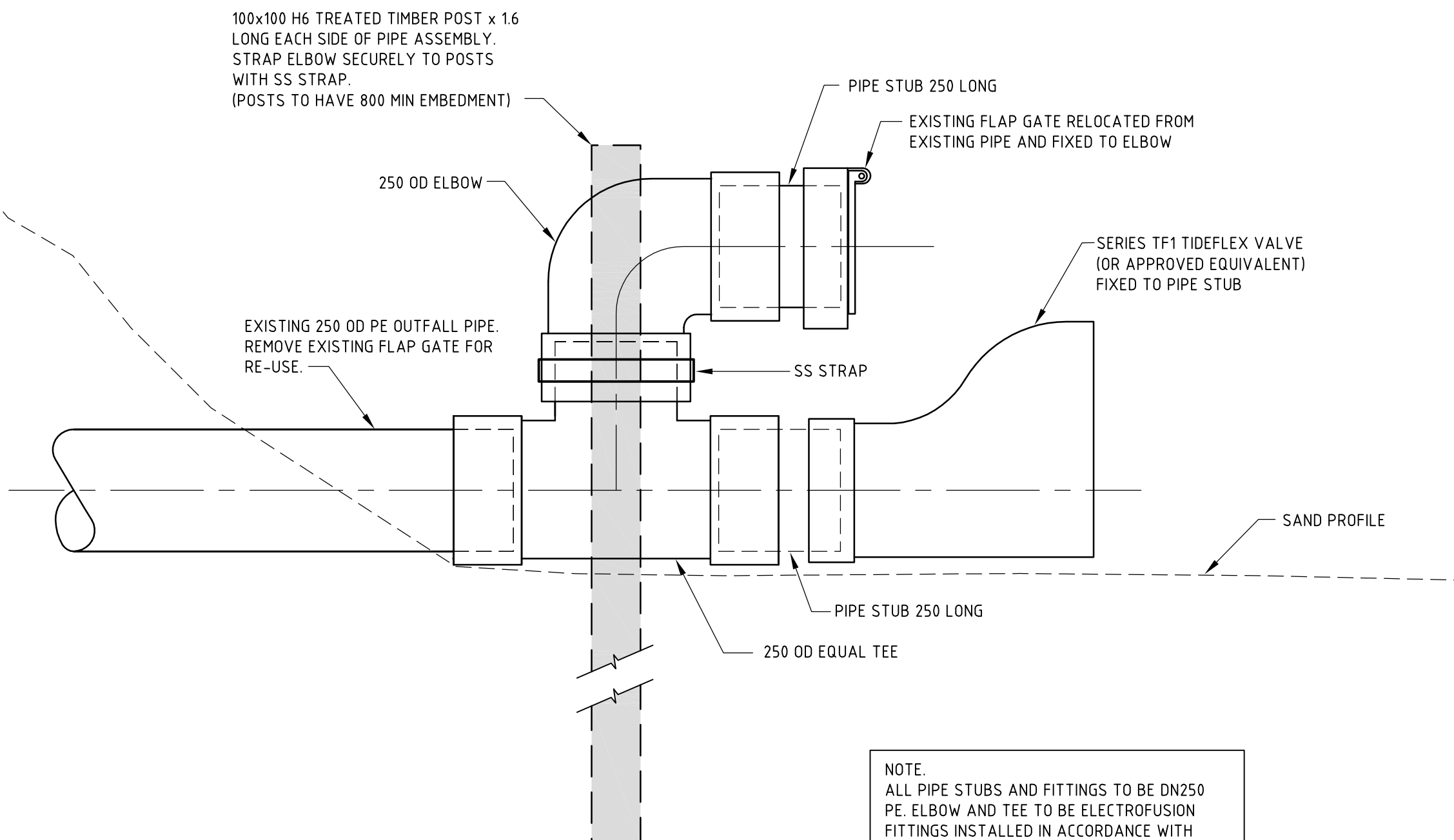


DO NOT SCALE - IF IN DOUBT, ASK

ORIGINAL SIZE A3

0 10 20 30 40 50 60 70 80 90 100



100x100 H6 TREATED TIMBER POST x 1.6
LONG EACH SIDE OF PIPE ASSEMBLY.
STRAP ELBOW SECURELY TO POSTS
WITH SS STRAP.
(POSTS TO HAVE 800 MIN EMBEDMENT)

PIPE STUB 250 LONG

EXISTING FLAP GATE RELOCATED FROM
EXISTING PIPE AND FIXED TO ELBOW

250 OD ELBOW

SERIES TF1 TIDEFLEX VALVE
(OR APPROVED EQUIVALENT)
FIXED TO PIPE STUB

EXISTING 250 OD PE OUTFALL PIPE.
REMOVE EXISTING FLAP GATE FOR
RE-USE.

SS STRAP

SAND PROFILE

PIPE STUB 250 LONG

250 OD EQUAL TEE

NOTE.
ALL PIPE STUBS AND FITTINGS TO BE DN250
PE. ELBOW AND TEE TO BE ELECTROFUSION
FITTINGS INSTALLED IN ACCORDANCE WITH
MANUFACTURER'S INSTRUCTIONS. SPECIAL
CARE TO BE TAKEN WITH CLEANLINESS IN THE
BEACH ENVIRONMENT WHEN ACTUATING THE
ELECTROFUSION JOINTING PROCESS.

NOT FOR CONSTRUCTION

REV	REVISIONS	APP	DATE

SCALES (A3) 1:10		
	NAME	DATE
DESIGNED		
DESIGN CHECK		
DRAWN	PAT	6/11
DRAWING CHECK		
APPROVED		



TASMAN DISTRICT COUNCIL
PATONS ROCK STORMWATER

OUTFALL REFURBISHMENT

Status Stamp	FOR APPROVAL		
Date Stamp	09/06/2011		
Drawing No.	Sheet No.	Rev.	
Z2208062	D 001	A	